

## New Products



D940

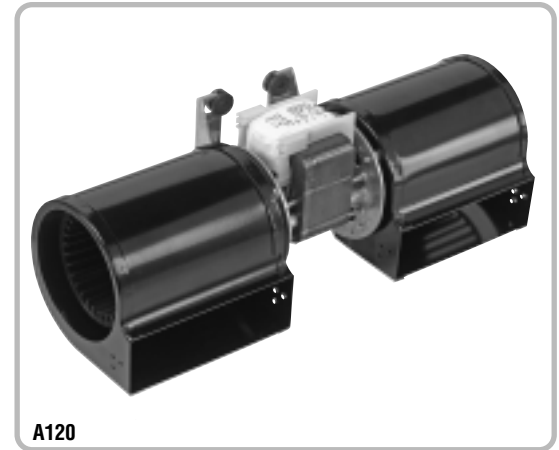
### D940 Condenser Fan Motor

- Single speed motor designed to be used in shaft up and horizontal applications
- Features ball bearings, and is thermally protected with a 60° ambient temperature rating.

#### Model D940 Specifications

Volts	208-230
Amps	4.4
HP	3/4
Rotation	REV
RPM	1075
Speeds	1
Mounting	Stud
Shaft	1/2" x 6 1/4"
A Dim	5 1/4"

Available In Stock



A120

### A120 Centrifugal Blower

- Designed to be used in gas stove and gas fireplace insert applications
- Direct replacement for Aladdin Steel/Hearth and Home models 230-1460, 7002-2983.

#### Model A120 Specifications

Volts	120
Amps	1.1
RPM	3000
Speeds	2

Available In Stock



A171

### A171 Draft Inducer Blower

- Direct replacement for ICP models:
  - 1011412, 7062-4783
  - 1011410, 7062-4705
  - 1010527P, 7062-4274
  - 1010491, 7062-4201
  - 1011096, 7062-4549

#### Model A171 Specifications

Volts	115
Amps	.7
RPM	3540
Speeds	1

Available In Stock



A173

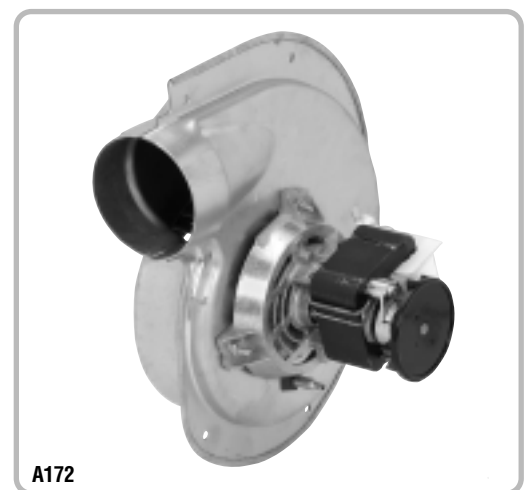
### A173 Draft Inducer Blower

- Direct replacement for ICP model 1011350, 7062-4785 and Alltemp (ROTOM) model R7-RFB350, 7062-4832

#### Model A173 Specifications

Volts	115
Amps	.8
RPM	3450
Speeds	1

Available In Stock



A172

### A172 Draft Inducer Blower

- Direct replacement for ICP models 1010975P, 7002-2792 and 1010975, 7002-2633

#### Model A172 Specifications

Volts	115
Amps	1.6
RPM	3000
Speeds	1

Available In Stock

(All blowers listed are ball bearing.)

# Fasco Fact

## Induced Draft Blowers

Many of the new energy-efficient gas furnaces use induced draft blowers to control flue gas. All induced draft blowers incorporate some type of device to signal to the furnace that the induced draft blower is operating. Some use a sail switch in the exhaust air stream. Others utilize a centrifugal switch or electronic sensor built into the motor, or a static pressure tap in the blower housing. All blowers are intended to provide air flow prior to ignition.

In today's furnace market, draft inducers are becoming a common replacement part. Since these furnaces are being designed with specific induced draft blowers, it is very important that replacements are installed using exact replacements. It is important that the replacements match the original blower for safety reasons.

These blowers play an important part in controlling the availability of gas to the burners. Most blowers will employ either a centrifugal switch, electronic sensor or a vacuum tap to generate a signal to the gas valve that the induced draft blower is operating. This feature is necessary to prevent the gas valve from being turned on prematurely, or in the event the blower does not operate properly.

These blowers control the removal of burnt by-products. Therefore, only replacement blowers made for specific furnaces or water heaters should be used for these replacements. Here's why: The blower is designed to produce a certain amount of airflow measured in CFM (cubic feet per minute). The airflow in some furnaces is needed to create a specific amount of vacuum at the vacuum tap mentioned above. If the replacement blower is not the exact one needed but looks close, it may produce a lesser vacuum at the vacuum tap. This may not allow the furnace to operate, since the furnace will think the induced draft blower is not operating.

As a leading OEM supplier, Fasco offers a wide variety of direct replacements for most major furnace brands.



### Still taking paper tests? Earn an extra \$1 online!

Most Fasco Rewards participants choose to take their tests online and earn \$6 each (rather than \$5). But if you're one of the few who still prefer a paper test, you already know that your September and October tests weren't included with your newsletters (due to a production problem). To catch you up, both of these tests will be mailed with your November newsletter. So you can wait to take your tests on paper, or take them now online—and earn an extra dollar when you pass!

### Answers to September's Fasco Rewards Test

1. A - True
2. D - 2-6086
3. B - Static Pressure
4. A - True
5. C - 585 CFM
6. A - It describes how an OEM furnace blower motor is secured to the blower housing using at least 3 welded brackets (lugs) on the motor shell which are in turn secured to the blower housing.
7. C - A085
8. D - A090
9. B - 2.2 – 2.75
10. D - Cycling

## Marketing Programs

### Updates to the New Fasco Catalog #42

If you've received your new Fasco Stock Replacement Products Catalog #42, you should know about several updates that have recently come to our attention. Please update your catalog with appropriate notations for the following pages:

- **Page 54:** The Reference No. column for the Fasco D1162 should read 7163-9809, not 7163-8909.
- **Page 57:** The Rot. column for the Gibson and Kelvinator sections shows D.S. for all models. Since some of the Fasco replacement models have lugs, this column should read CCW for D852, CW for D1853, CCW for D854, CW for D856 and CW for D1112.
- **Page 60:** The footnote listing 10M 370V should read 10M 440V.
- **Page 91:** The Resilient Mounting Base Index D745 listing 558 should read 517.

If you have any questions regarding this new information, please contact Fasco's Customer Service Department at 1-800-325-8313.